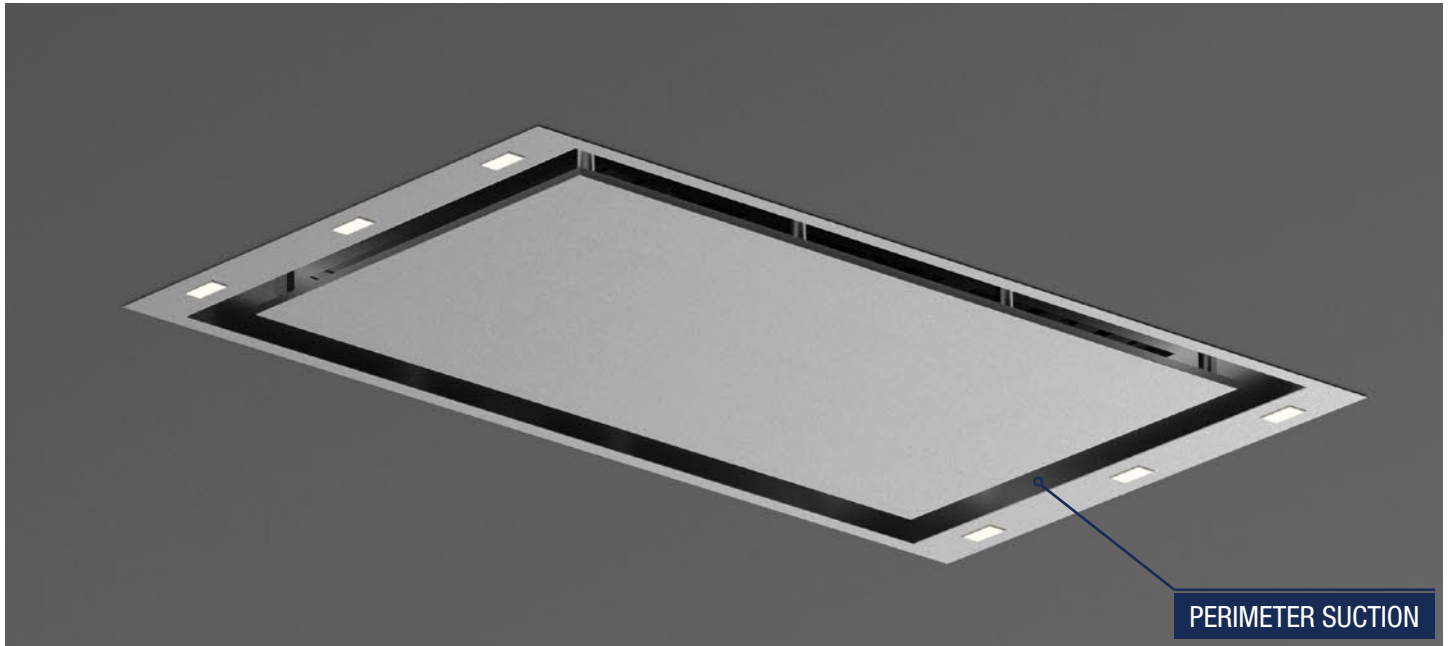


# COPENHAGEN 120

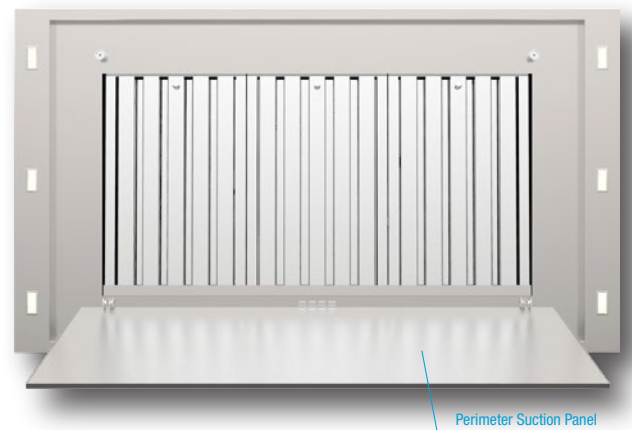


## Product Features

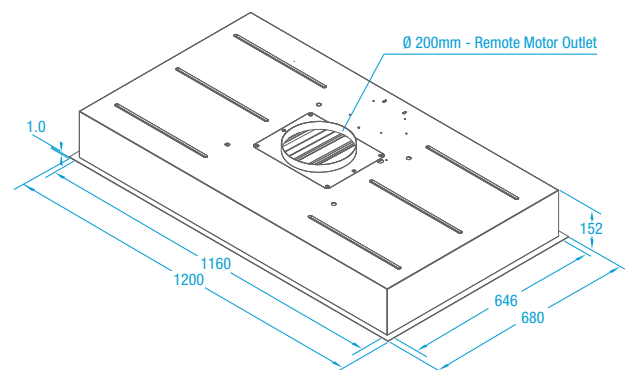
<b>Hood Mounting</b>	Ceiling Mount
<b>Cooking Coverage</b>	Suits 75cm - 120cm Cooking Surfaces
<b>Filtration</b>	S-Flow Baffle Filters 3x (H-25) - Dishwasher Safe
<b>Lighting</b>	LED 6x (1.0W)
<b>Finish</b>	<b>AISI304 1.0mm</b> High Grade Stainless Steel
<b>Controls</b>	LED Backlit 4 Button <i>mastermind</i> Electronic Control with LED Speed Indicator with Remote Controller
<b>Speed Settings</b>	3 Speed + Boost Mode
<b>Timer Function</b>	Programmable Timer (10min Increments) + Auto Shut Off After 2Hrs Of Inactivity
<b>Ducting</b>	200mm Acoustic Flexi Ducting - Five (5) Meter Length (Supplied only with Remote Motors)
<b>Hood Width</b>	1200mm
<b>Hood Depth</b>	680mm
<b>Hood Height (Fascia)</b>	152mm (plus 25mm Top Outlet)



## Filtration Zone



## Dimensioned Drawing



## Model / Extraction Unit Selection

X9C12S5.EPP	Ceiling Cassette	KleenAir <b>Pro Plus</b> Remote Fan Solution - <b>2010 m³/hr</b>	Remote <b>External</b> (Roof or Wall Mounted) Motor System
-------------	------------------	--	--