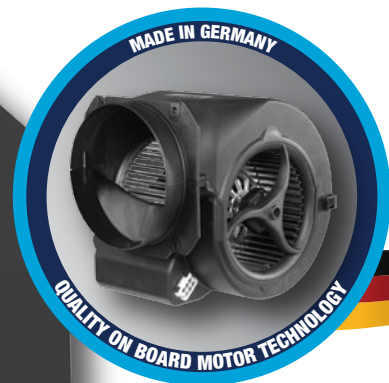


# PRAGUE 60



## Product Features

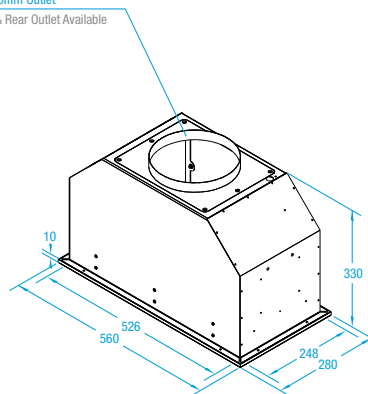
<b>Hood Mounting</b>	Built In (Under Mount)
<b>Cooking Coverage</b>	Suits 50cm - 75cm Cooking Surfaces
<b>Filtration</b>	S-Flow Baffle Filters 2x (H-25) - Dishwasher Safe
<b>Lighting</b>	LED 2x (1.0W)
<b>Finish</b>	<b>AISI304 1.2mm</b> High Grade Stainless Steel
<b>Controls</b>	LED Backlit 4 Button <i>mastermind</i> Electronic Control with LED Speed Indicator
<b>Speed Settings</b>	3 Speed + Boost Mode
<b>Timer Function</b>	Programmable Timer (10min Increments) + Auto Shut Off After 2Hrs Of Inactivity
<b>Duct Outlet</b>	150mm (Top or Rear Outlet Available)
<b>Hood Width</b>	560mm
<b>Hood Depth</b>	280mm
<b>Hood Height</b>	330mm (Plus 25mm Top Outlet)

## Filtration Zone



## Dimensioned Drawing

Power On-Board Motor  
 Ø 150mm Outlet  
 Top & Rear Outlet Available



## Model / Extraction Unit Selection

X3UM06S5.0P/T	Built In Hood	KleenAir <b>Power</b> On Board Fan Solution - <b>1020 m³/hr</b>	<b>On-Board</b> Motor System - <b>Top</b> Ducted (150mm Outlet)
X3UM06S5.0P/B	Built In Hood	KleenAir <b>Power</b> On Board Fan Solution - <b>1020 m³/hr</b>	<b>On-Board</b> Motor System - <b>Back</b> Ducted (150mm Outlet)