

PRAGUE 90



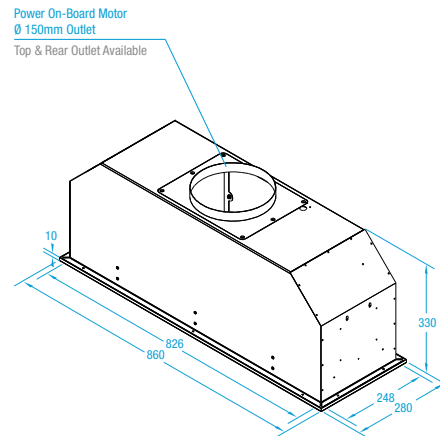
Product Features

Hood Mounting	Built In (Under Mount)
Cooking Coverage	Suits 70cm - 100cm Cooking Surfaces
Filtration	S-Flow Baffle Filters 3x (H-25) - Dishwasher Safe
Lighting	LED 4x (1.0W)
Finish	AISI304 1.2mm High Grade Stainless Steel
Controls	LED Backlit 4 Button <i>mastermind</i> Electronic Control with LED Speed Indicator
Speed Settings	3 Speed + Boost Mode
Timer Function	Programmable Timer (10min Increments) + Auto Shut Off After 2Hrs Of Inactivity
Duct Outlet	150mm (Top or Rear Outlet Available)
Hood Width	860mm
Hood Depth	280mm
Hood Height	330mm (Plus 25mm Top Outlet)

Filtration Zone



Dimensioned Drawing



Model / Extraction Unit Selection

X3UM09S5.OP/T	Built In Hood	KleenAir Power On Board Fan Solution - 1020 m³/hr	On-Board Motor System - Top Ducted (150mm Outlet)
X3UM09S5.OP/B	Built In Hood	KleenAir Power On Board Fan Solution - 1020 m³/hr	On-Board Motor System - Back Ducted (150mm Outlet)